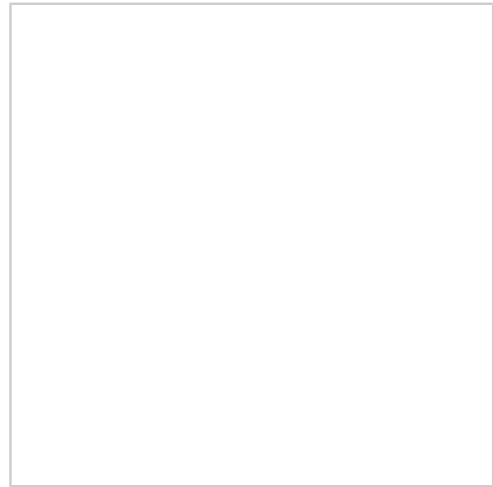


K

- Self-powered, portable two-way desktop system with two 5.25" LF drivers and two 2.25" HF drivers for wide, clear sound reproduction.
- Two 10" LF drivers and two 2.25" HF drivers for wide, clear sound reproduction.
- Two 10" LF drivers and two 2.25" HF drivers for wide, clear sound reproduction.
- Two 10" LF drivers and two 2.25" HF drivers for wide, clear sound reproduction.
- Two 10" LF drivers and two 2.25" HF drivers for wide, clear sound reproduction.
- Two 10" LF drivers and two 2.25" HF drivers for wide, clear sound reproduction.
- Two 10" LF drivers and two 2.25" HF drivers for wide, clear sound reproduction.



For more information, visit www.bose.com or call 1-800-254-2542.

System Type	Self powered, two-way
Frequency Response (+/-3 dB) ¹	40 Hz - 12 kHz
Frequency Range (-10 dB) ¹	32 Hz - 14 kHz
Nominal Dispersion	195° H x 0° V
Maximum SPL @ 1 m ²	115 dB SPL (121 dB SPL peak)
Crossover Frequency	200 Hz (24 dB / octave)
System Power Rating	500 W
Low-Frequency Amplifier	250 W
High-Frequency Amplifier	250 W
Distortion at Rated Power	0.1 % Max (30 Hz - 15 kHz)
System Limiter	Dynamic limiter
Overload Protection	Fuse/MOV/NTC/PTC
Power Indicator	Blue LED: system on, Red LED: fault
Driver Complement	Cylindrical Radiator® loudspeakers: Twenty-four (24) 2.25" (57 mm) HF drivers B1 bass module: Two (2) 5.25" (133 mm) LF drivers (8 Ω) B2 bass module: Two (2) 10" (254 mm) LF drivers (4 Ω)
Signal Indicators	Analog signal/clip LED: Green: signal present, Yellow: -3 dB below clip, Red: clip (limiter active)
Trim	+14 dB @ max
Input	1/4" - TS unbalanced or TRS balanced
Channel Gain (1/4" input)	-50 dB to +28 dB (line)
Maximum Input Signal	+24 dBu (balanced)
Input Impedance	10 kΩ +/- 10 % (unbalanced)
Bass Module out (for B1 or B2 only)	NL4 connector (all pins wired, two for audio, two for auto sensing). Bass output signal for driving up to two B1 bass modules (one B1 bass module = 8 Ω) (two B1 bass modules = 4 Ω) or one B2 bass module (4 Ω)
Bass Line Output	Post-DSP bass signal output. Accepts a 1/4" TRS cable. Supplies low frequency signal for connecting a PackLite® power amplifier or powered sub woofer.
ToneMatch Port	CAT5 Ethernet cable with RJ45 connection providing digital audio and power connection for the optional T1 ToneMatch audio engine
AC Mains	IEC connector

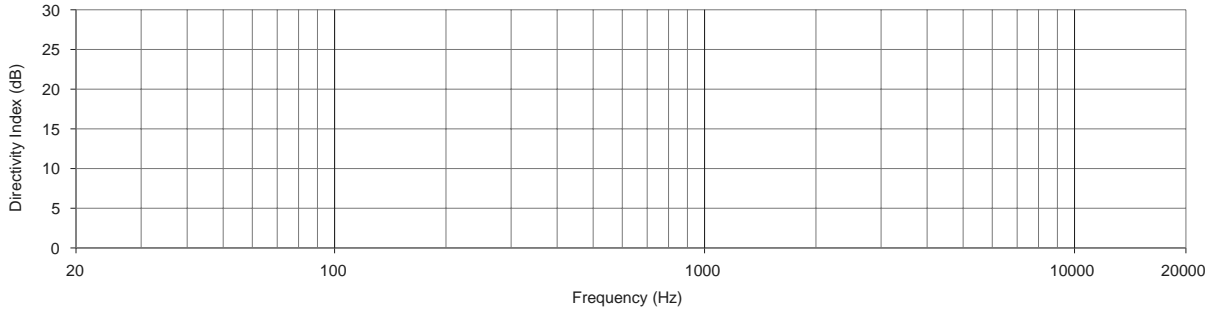




Enclosure	Power Stand: Polypropylene cover with cast aluminum legs and steel chassis base Cylindrical Radiator: Aluminum enclosure with ABS baffle
Grille	Powder-coated perforated steel
Dimensions	Assembled height: 84.0" (2134 mm)
Net Weight	Power Stand: 23.7 lb (10.7 kg) Cylindrical Radiators (pair): 33.7 lb (15.3 kg) B1 bass module: 26.6 lb (12.1 kg) B2 bass module: 45 lb (20.41 kg)
Shipping Weight	Power Stand: 32 lb (14.5 kg) Cylindrical Radiators (pair): 41 lb (18.6 kg) B1 bass module: 30 lb (13.6 kg) B2 bass module: 52.2 lb (23.67 kg)
USA/Canada	100-120 V 50 / 60 Hz 500 W
Europe	220-240 V 50 / 60 Hz 500 W

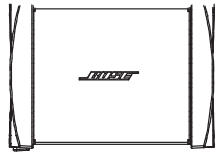
re e re po e dr e e red o - wt re o eded te e o e ro et
ted ro e t t d power d pe to ,e eo power o pre o





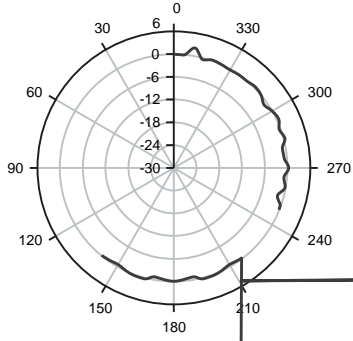
BOSE[®]





BOSE[®]





L1 MODEL II



e te e tpedr er, -r eport e
o d pe er te wt ter pp ed power p to ,
t ee to de ter od e

etr d er o pe et o to twe t-or
-e r o, -re e dr er o ted
rt ted rr o d pe er de e o d pe er rr
ew red ere pr e o r to

e ow re e e to etwo -
e r o, ow-re e dr er o ted e ted
e o re od e r two -
e r o, ow-re e dr er o ted e ted
e o re od e

e o or o t e wdt o t e o d pe er
e -, dte ert oer e e rrow do
o d o ed to t e top d otto o t e rr e power
p to or tr d er e pp ed t e te r ted
power t d pro d o t o p o e, d- ted
ro to d

e p t o e tor o t e power t d od e o t
o o e ed or ed re ept e d
o ed t et er o - re ept e or o p t e
o e t doe e e te o t p t o e tor
pro de o e re ept e p e o d tr t power or two
ow-re e od e or e od e e
e-e e re ept e or pp to te
e te ded p e

ee o re o t e top d otto o d pe er rr e
o tr ted o e tr ded e te power t d
e o tr ted o po prop e e ter

e tot e ed te e t e
e tot e ed te we twt t e e

e tot e ed te we twt t e e

e o d pe er ete o e ode port e e
rr te

e ode te o p e wt t e o ow
t d rd

- t d to et t d rd or do
d deo p e t
- ode re te

e p e t ee te ted d o d to o p wt
t e t or d t de e, p r t to rt
o t e r e prod t o p e wt t e d
- pe to prod t o or to
t e re te der t d rd -
, ro e t

ower t d- -
ower t d- -
dr d tor o d pe er -
top d otto -
od e -
od e -

o e t doe e -
o e t doe e -
power pp -
o e t doe e -
t d r et -
te - -
te - -

