

allow different "Q" (directivity) for each module in the array improve sound quality by better matching array coverage to audience areas and distance, with improved phase coherency

allows designers to customize array

provides smooth high-frequency array summation and allows choice of 5 vertical-coverage patterns. Select number of array modules based on sound level, low-frequency pattern control and budget requirements, independent of total array vertical coverage

deliver the vocal power normally associated with 3-way systems with frequencies from 500 Hz to 16 kHz projected from the large-format waveguides for remarkably consistent coverage and vocal clarity

allows fast installation of arrays with up to 8 full-range modules at 10:1 safety factor

**amplifiers –**

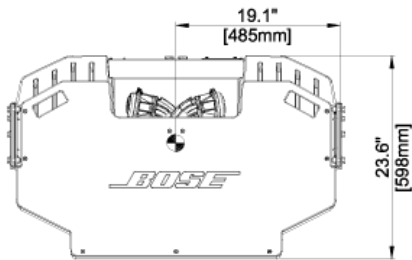
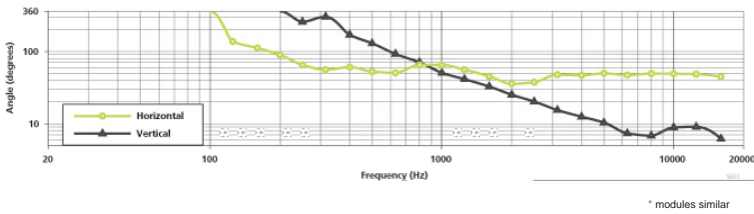
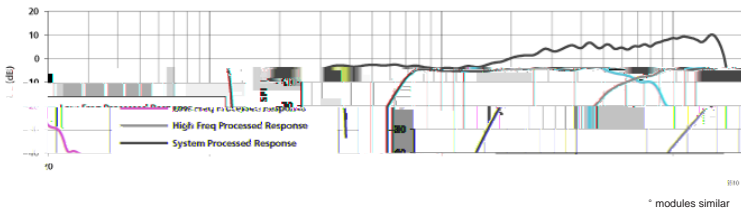
integrated loudspeaker DSP functions with optional Dante® digital audio network interface

arenas, dance clubs and houses of worship, in which the large-format waveguides with choice of 42 coverage patterns can provide

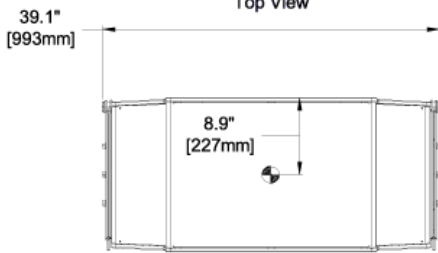
## Technical Specifications

Single Module Performance						
Frequency Response (+/-3 dB) <sup>(1)</sup>	60 Hz - 16 kHz					
Frequency Range (-10 dB) <sup>(1)</sup>	55 Hz - 16 kHz					
Recommended High-Pass Filter	50 Hz with minimum 24-dB / octave (4th order) slope					
Nominal Coverage Pattern	55°, 70°, 90°, 120° horizontal (differs by module) x 10° vertical					
Recommended Crossover	Low Frequency		High-Frequency			
	500 W		150 W			
Power Handling, long-term continuous <sup>(2)</sup>	500 W		150 W			
Power Handling, peak	2000 W		600 W			
Sensitivity (SPL / 1 W @ 1 m) <sup>(3)</sup>		RM5510	RM7010	RM9010	RM12010	
	94 dB	111 dB	110 dB	109 dB	107 dB	
	Calculated Maximum SPL @ 1 m <sup>(4)</sup>	121 dB	133 dB	132 dB	131 dB	129 dB
	Calculated Maximum SPL @ 1 m, peak	127 dB	139 dB	138 dB	137 dB	135 dB
Transducers						
Low Frequency	2 x Bose LF10 ultra-linear 10" woofers (3" voice coil)					
High Frequency	6 x Bose EMB2 extended-mid-band compression driver (2" voice coil)					
Nominal Impedance	4Ω + 8Ω (LF/HF)					
Physical						
Enclosure Material	Baltic birch plywood, engineered plastics, and steel frame					
Finish	Two-part spray polyurethane coating on plywood, black					
Grille	19-gauge (1 mm) perforated steel, powder-coated finish, black					
Environmental	Indoor use only					
Connectors	2 x Neutrik NL4 wired parallel					
Suspension / Mounting	Integrated side-plate rigging hardware; optional array frame accessories					
Dimensions (H x W x D)	455 mm x 993 mm x 598 mm (17.9" x 39.1" x 23.6")					
Net weight	55.8 kg (123 lbs)					
Shipping Weight	81.6 kg (180 lbs)					

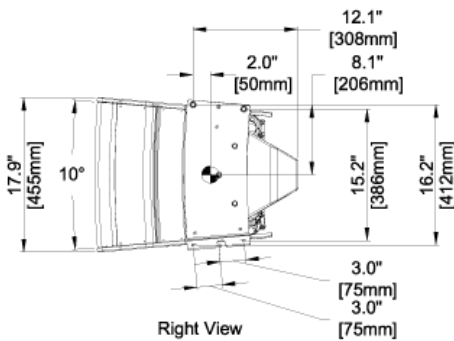




Top View



Front View



Right View

### Footnotes

1. Frequency response and range measured on-axis with recommended EQ in an anechoic environment.
2. Bose extended-lifecycle test: pink noise, IEC268-5 filtered, 6-dB crest factor, 100-hour duration, with recommended EQ.
3. Sensitivity measured in anechoic acoustic boundary conditions with recommended EQ, referenced to 1W/m.
4. Maximum SPL calculated from sensitivity and power handling specifications, exclusive of power compression.

For additional specifications and application information, please visit [pro.bose.com](http://pro.bose.com). Specifications subject to change without notice.

